

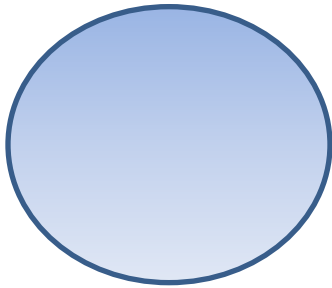


## Radio Merit Badge Drawing Requirements

Scout Name: \_\_\_\_\_

Jamboree Troop Number: \_\_\_\_\_

2a. Sketch a diagram showing how radio waves travel locally and around the world:

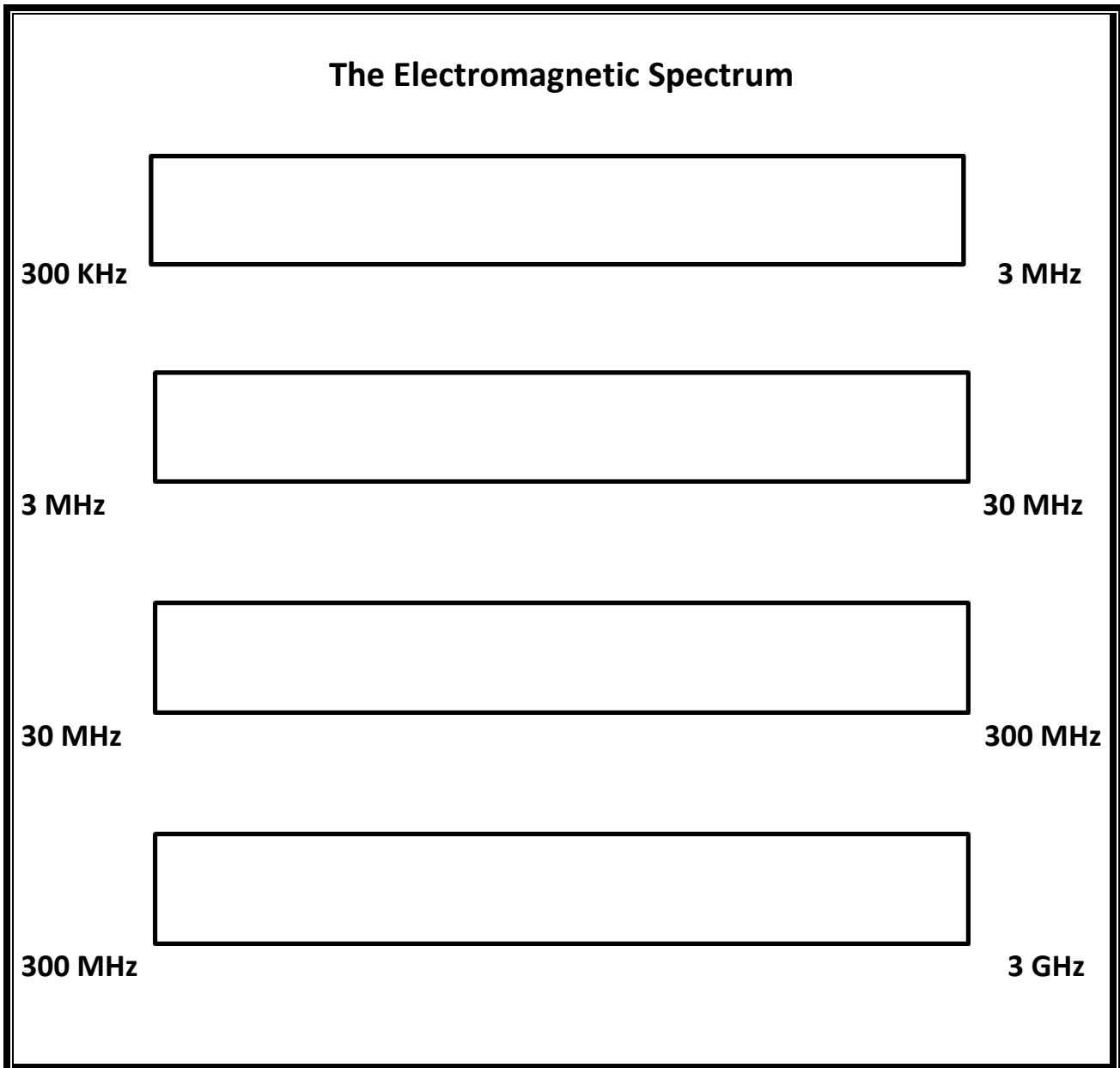


5b. Draw a block diagram for a radio station that includes a transceiver, amplifier, microphone, antenna, and feed line.

3a. Draw a chart of the electromagnetic spectrum covering 300 kilohertz (kHz) to 3000 megahertz (MHz).

3b. Label the MF, HF, VHF, UHF, and microwave portions of the spectrum on your diagram.

3c. Locate on your chart at least eight radio services such as AM and FM commercial broadcast, citizens band (CB), television, amateur radio (at least four amateur radio bands), and public service (police and fire).



For info on Scouting & Amateur Radio, see [www.k2bsa.net](http://www.k2bsa.net) and <http://www.arrl.org/getting-licensed>